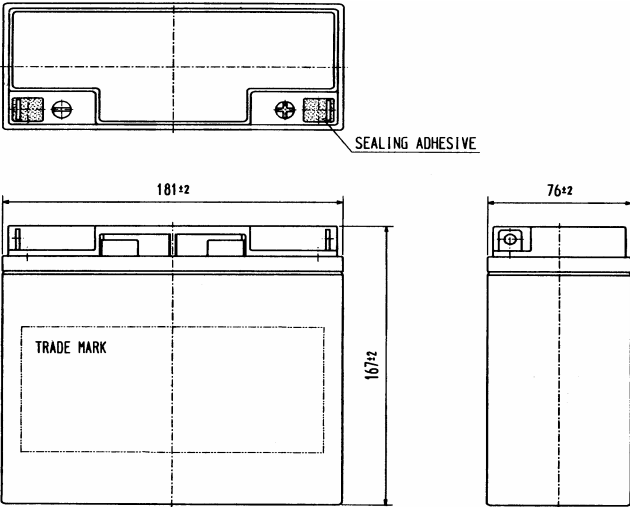
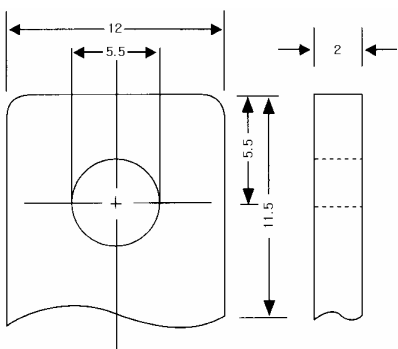




MODEL :
ES17-12

(Notes : VDS certificate)



PHYSICAL SPECIFICATIONS									
<table border="1" style="width:100%; text-align:center;"> <tr> <td style="width:50%;">Nominal Voltage</td> <td>12V</td> </tr> <tr> <td>Nominal Capacity(20HR)</td> <td>17Ah</td> </tr> </table>		Nominal Voltage	12V	Nominal Capacity(20HR)	17Ah				
Nominal Voltage	12V								
Nominal Capacity(20HR)	17Ah								
Dimensions	<table border="1" style="width:100%;"> <tr> <td style="width:30%;">Length</td> <td>181+/-2mm(7.13inches)</td> </tr> <tr> <td>Width</td> <td>76+/-2mm(2.99inches)</td> </tr> <tr> <td>Height</td> <td>167+/-2mm(6.57inches)</td> </tr> <tr> <td>Total Height</td> <td>167+/-3mm(6.57inches)</td> </tr> </table>	Length	181+/-2mm(7.13inches)	Width	76+/-2mm(2.99inches)	Height	167+/-2mm(6.57inches)	Total Height	167+/-3mm(6.57inches)
Length	181+/-2mm(7.13inches)								
Width	76+/-2mm(2.99inches)								
Height	167+/-2mm(6.57inches)								
Total Height	167+/-3mm(6.57inches)								
Weight									
Approx. 6.2 kg(13.67 lbs)									
Standard Terminal									
Bolt Terminal(M5)									
<div style="display: flex; justify-content: space-around;"> <div style="text-align: center;">  <p>SEALING ADHESIVE</p> <p>181±2</p> <p>76±2</p> <p>167±2</p> <p>TRADE MARK</p> </div> <div style="text-align: center;">  <p>BOLT TERMINAL</p> </div> </div>									

(12V17Ah)

ELECTRICAL SPECIFICATIONS

Capacity	20 hour rate(0.9A)	17Ah	Max. Discharge Current(5sec.)	270A	
	10 hour rate(1.67A)	16.7Ah		Constant-Voltage Charge	Cycle
Capacity affected by temperature	5 hour rate(3.06A) 40°C (104°F)	15.2Ah 105%	Temp. Coefficient Current less than 4.5A		Standby
	1 hour rate(10.8A) 25°C (77°F)	10.8Ah 100%			
Internal Resistance Fully charged battery (25°C, 77°F) Aprox. 11mΩ					
			Temp. Coefficient Current less than 4.5A		

