



### APPLICATIONS

- Powerchairs / home mobility equipment
- Scooters, 3- and 4 wheels
- Toys for children
- Lifts (stairs / bathrooms)
- Personal Carriers
- Utility Vehicles

### SPECIFICATIONS

Nominal Voltage	12V	
Nominal capacity @20 hour rate	34Ah	
Capacity at 25°C	10 hour rate	32Ah
	5 hour rate	28Ah
	1 hour rate	19Ah
Shelf time @20°C up to 70%	in months	9
Internal resistance (at 1 KHz)	approx. 9 mΩ	
Operating temperature for (dis)charge	-15°C to + 40°C	

### DIMENSIONS

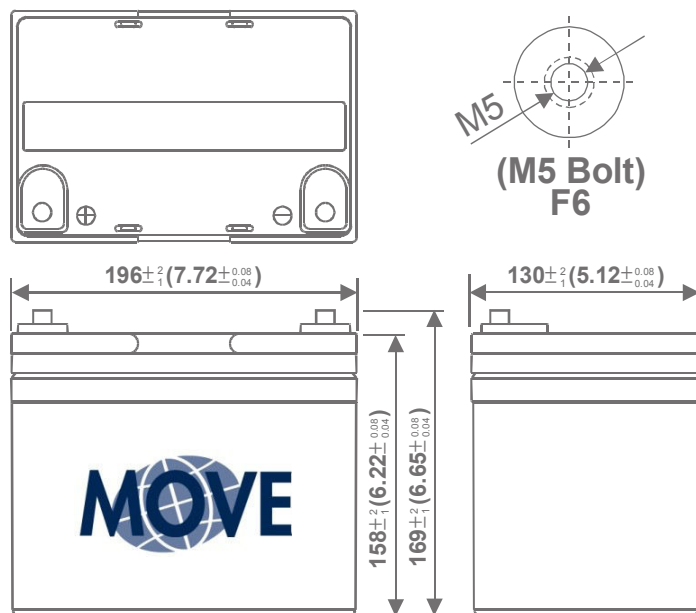
Dimensions LxWxH (T) in mm	196x130x158 (169)
Weight	10,5kg (±2%)
Separator	AGM, Glass Mat
Case and cover	ABS (UL94-V0 optional)
Terminal	M5 Bolt
Torque setting (recommended)	M5: 2,9 Nm
Maximum allowable torque value	M5: 4,9 Nm

### CHARGING

- Charging Voltage cycle use 14,4 to 15 Volt
- Float charge Voltage 13,5 to 13,8 Volt
- Charging current, minimum 2A - maximum 6A

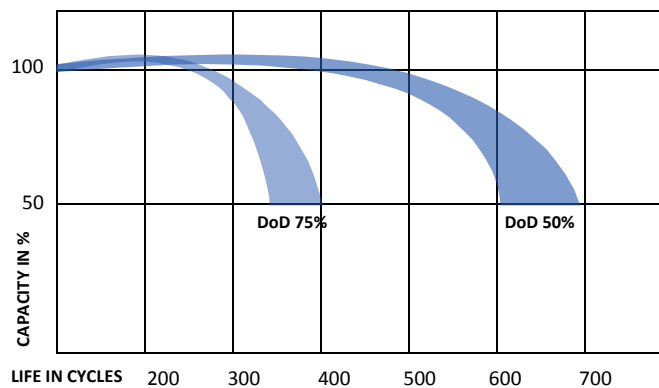
### CYCLE LIFE

To maximize the cycle life of the battery, we recommend to charge the battery fully after use. The total life of the battery, is very dependant on the correct charge and depth of discharge per cycle.



### BATTERY LIFE UNDER CYCLIC USE

Tested in conformance to the BCI testing method



\* Cycle life is measured with a discharge current 0,2C, charged 16h and rest capacity of 2/3 Cn